

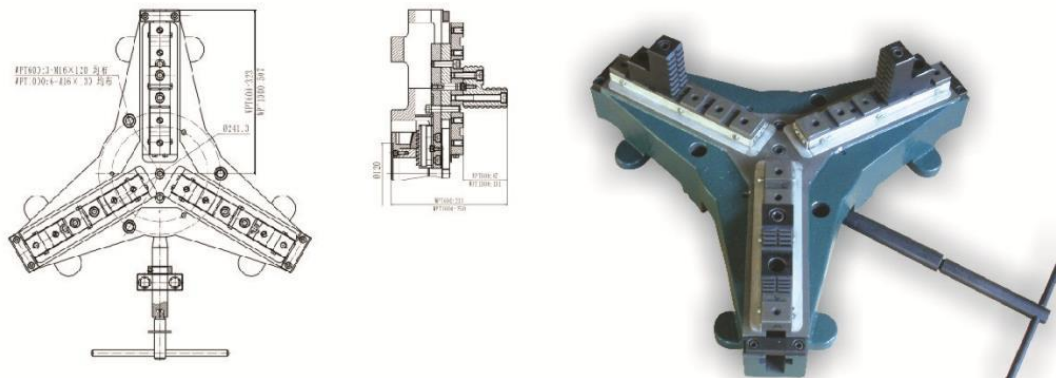
## Welding chucks WP Series



### Parameter

Model	Capacity	Inside clamp range (mm)	Outside clamp range (mm)	Extended Clamp range	Price
WP-200	30 kg	Φ 20-130	Φ 110-210	φ 5-300 mm	On request
WP-300	120 kg	Φ 80-190	Φ 170-280	Φ 10-400 mm	On request
WP-400	240 kg	Φ 120-250	Φ 250-380	Φ 20-500 mm	On request
WP-500	600 kg	Φ 200-340	Φ 360-500	Φ 40-600 mm	On request
WP-600	1000 kg	Φ 250-410	Φ 400-620	Φ 40-1500 mm	On request
WP-750	1200 kg	Φ 380-580	Φ 550-800	Φ 40-1500 mm	On request

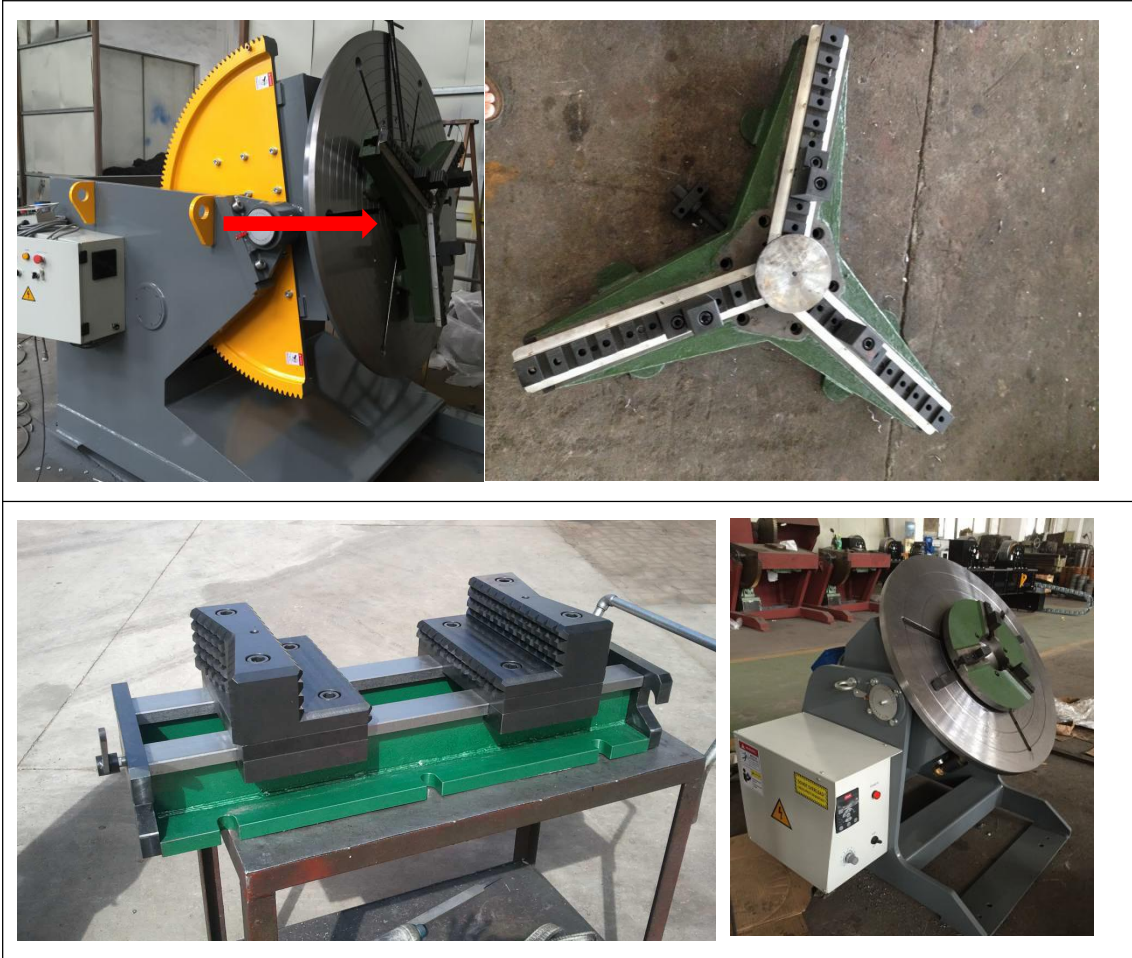
## Welding chucks WPT 600/1000



Model	Inside clamp range (MM)	Outside clamp Range (MM)	Screw	Capacity	Price
WPT-600	Φ 85-530	Φ 170-615	3-M16X120	1000kg	On request
WPT-1000	Φ 85-950	Φ 170-1050	6-M16X130	1000kg	On request

**HERE BELOW PICS FOR REFERENCE:**





Westermans International Ltd  
Unit 4, Midland Dist. Centre  
Markfield Road  
Groby  
Leicester, LE6 0FS  
United Kingdom  
[www.westermans.com](http://www.westermans.com)  
[welding@westermans.com](mailto:welding@westermans.com)  
T: +44(0) 1162 696941